

HANOUCAR

TECHNICAL SHEET



LED module

Technical specifications :

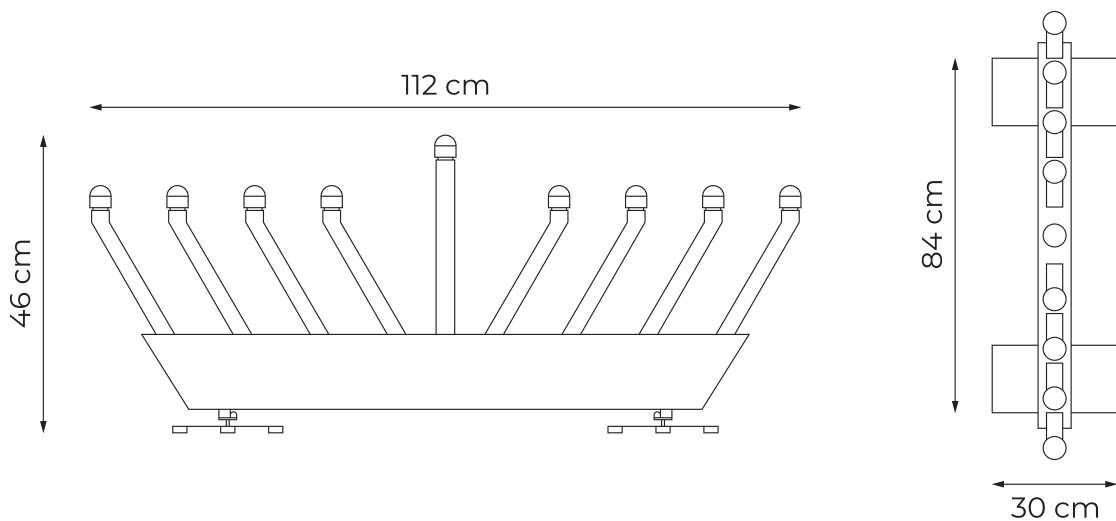
- Dimensions : 112 x 46 x 30 cm
- Weight : 5,5 kg
- Material : aluminum
- LED strip light : 15W / IP68
- LED module : 1W / ACDC 12V / 6000 K
- Cigarette lighter : 12V
- Cigarette lighter cable : 5 m
- Strap size : 400 x 2.5 cm
- Vandal proof screw : \varnothing 2.5 mm



Tiltable base

Informations :

- 3 magnets per foot (covered with felt)
- Laser cut
- Weather resistant powder coated paint



Front view

Aerial view

Please notice that we do not accept any responsibility for excessive or high speed driving ! If you do so, we recommend that you secure the Hanoucar with straps.