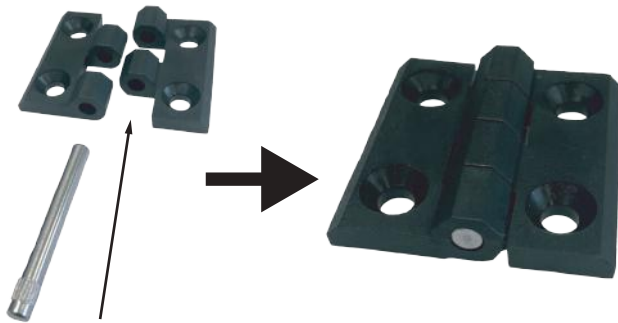


HANOUCAR

INSTALLATION GUIDE

①



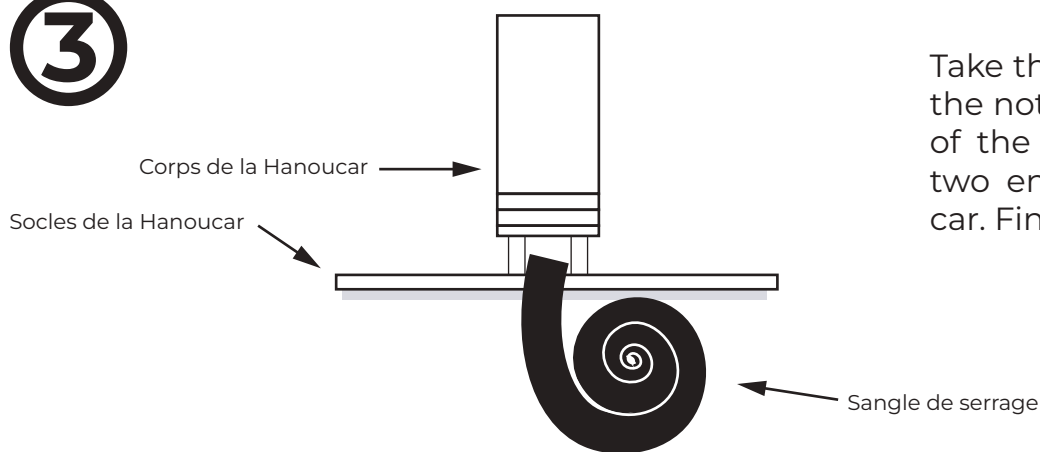
To attach the bases on your Hanoucar, insert the metal rod (serrated side at the end of the stroke) into the aligned notches of the brackets using a hammer.

②



Position your Hanoucar towards the front roof of your car so that you have enough length to plug in the cigarette lighter socket.

③



Take the strap and pass it through the notch provided on the 2 bases of the Hanoucar. Then bring the two ends of the strap inside the car. Finally, tighten the strap.

④



Plug the cigarette lighter socket into your car. Your Hanoucar is ready.